



Rust-resistant aluminum components; suitable for indoor or outdoor use

Complete solution: includes top landing gate for safety code compliance

Reliable chain drive system for smooth, quiet operation

Travels up to 75" with 2 stops

Savaria® M2lift VPL

AFFORDABLE EASY ACCESS



Convenient, easy access is affordable with the Savaria M2lift, vertical platform lift. With a capacity of 750 lb, the M2lift easily accommodates a wheelchair or other mobility equipment. Durable built with rust-resistant aluminum components, you can count on this lift to perform and look great for years to come – even in cold and coastal climates. Ideal for home use as a porch or deck lift, the M2lift is quick to install, easy to operate and reliable.

Savaria® M2lift VPL

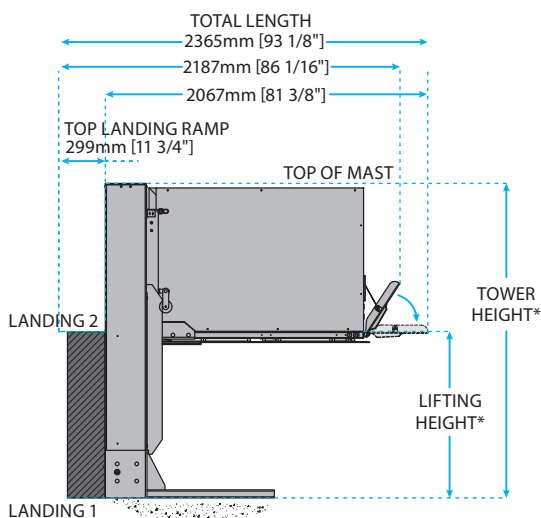
AFFORDABLE EASY ACCESS



- Unique chain drive technology for smooth, quiet operation and swift 10 feet per minute travel
- Self-supporting base with slim-profile twin tower construction reduces visual obstruction
- Rust-resistant aluminum car walls and floor, with non-skid platform floor and exit ramp
- Steel components are yellow zinc/baked enamel powder coat for rust protection
- Landing bridge between car and upper level for smooth navigation in and out of lift
- Includes adjustable 42" high solid, flush, aluminum upper landing gate with spring-hinge and weather-resistant lock (Savaria WR-500)
- Automatic access ramp
- Constant-pressure controls for operation with key access on car and call stations
- Wall mounted, weather-resistant cordless radio frequency call/send stations with key
- Safety features include slack chain safety switch and underpan sensors to stop the lift if an obstruction is detected, emergency stop button and alarm on car
- Battery operated unit charged through a standard electrical outlet so lift can be used even during a power failure
- Available in 3 lifting heights – 40", 60" and 75" – with 750 lb capacity

SPECIFICATIONS

Applications	Residential (indoor/outdoor)
Capacity	750 lb (340 kg)
Shortest travel distance	15.5"
Maximum travel distance	75"
Platform size (interior)	37" x 54"
Speed	10 ft/min
Lifting/tower heights available*	40" (tower 79.5"); 60" (tower 99.5"); 75" (tower 114.5")
Gate clear opening	33.5"
Car access/configuration	Straight through enter/exit
Power requirements	24 VDC motor and operating system with 120 VAC battery charging
Drive	Direct drive gearbox with chain suspension
Color	Beige
Warranty	36 months parts, ask dealer for details
Complies with ASME A 18.1 part 5 -2017 USA; Canadian residential in regions that do not require CSA B613-00	



Authorized Savaria dealer:



www.savaria.com

2 Walker Drive, Brampton, ON L6T 5E1 Canada

tel: 800.661.5112 fax: 905.791.2222